

# NEPEAN

BLINDS & DOORS

PRODUCT FACTSHEET

## PIVOT ARM AWNING

### MAINTAIN AIR FLOW

The Pivot Arm Awnings will shade the window yet allow the air to flow around it, due to its clever pivoting arc. Not only will your Pivot Arm Awning keep the sun at bay but is ideal for those hard to reach windows, plus it can be fitted with a motor to enable remote control operation.



02 4722 4000 | [nepeanblinds.com.au](http://nepeanblinds.com.au)  
Unit 1/89 Batt Street, Penrith NSW 2750

# TECHNICAL INFO

## Design and Fabrication

Pivot Arm Awnings offer many design options including fabric, hood colour, and whether the trim is flat or scalloped.

Pivot Arm Awnings fabrics include canvas, acrylic or sunscreen fabric.

## Installation

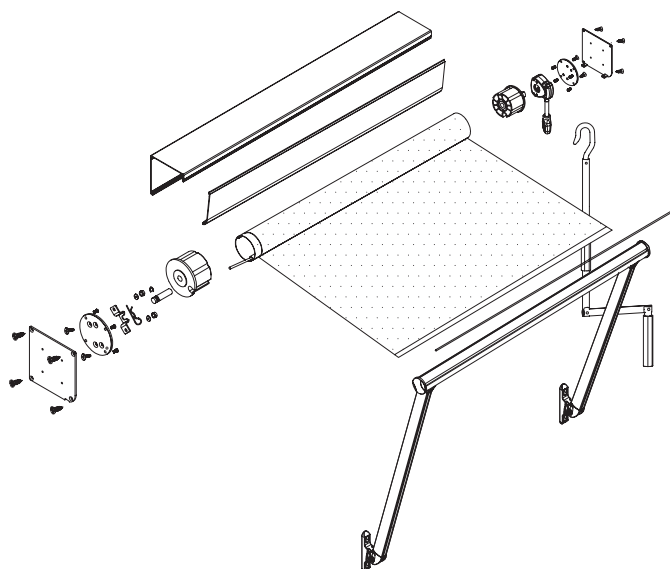
Pivot Arm Awnings are suitable for the exterior of both windows and doors. They have spring-loaded arms to hold the fabric taut – fantastic for moderately windy locations.

## Operation

Pivot Arm Awnings are operated by crank control or via a rope or tape which can be fed into your home, offering internal control. This is especially important on second storey or higher level installations. Pivot Arm Awnings can also be motorised.

## Size

Pivot Arm Awnings can be made up to 5.1m in width, making them suitable for large windows.



Close up of flexible arm position



Close up of tension arm

# BENEFITS

## Air Circulation

When compared with other awnings, the Pivot Arm Awning allows superior air circulation into your home.

## Design

The Pivot Arm Awning offers a variety of choices in regard to colour and design.

## Child-Safe

The lack of cords or cables adds an extra level of child-safety.

## Automation

Ability to be automated for greater convenience.

## Satisfaction Guaranteed

Quality installation is assured with our specialist team, and peace of mind with a 3 year warranty.

Book your  
**FREE in-home  
consultation today!**  
**02 4722 4000**