

# Motorised Sunroof System

**EUREKA**



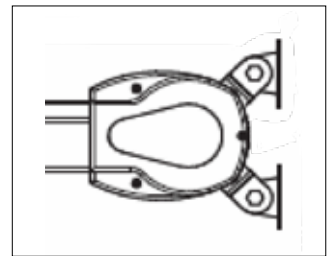
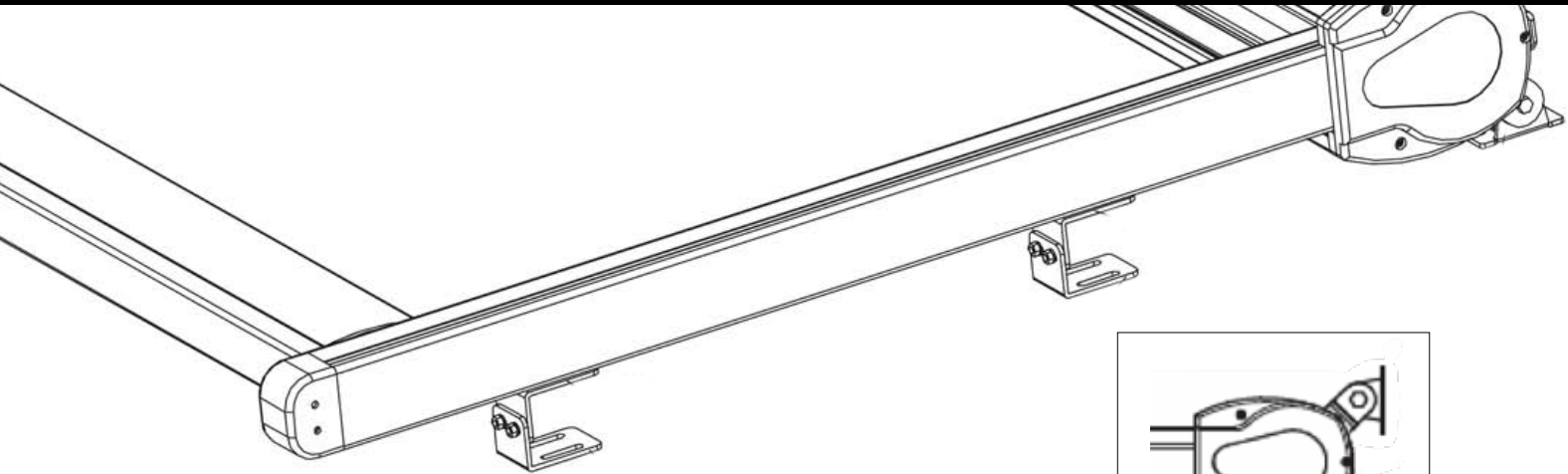
The Eureka sunroof system is a stylish compact solution for controlling heat reduction and light in a range of applications such as glass conservatories, outdoor areas, decks or pergolas. Utilizing a high strength Kevlar belt the Eureka system has an integrated spring tensioning system in the front rail which ensures constant fabric tension at any position.

Due to its innovative design the bracketing system allows easy installation with fixing options at the arms, back or top of the hood for installation horizontally, vertically or even upside down providing a solution for all installation types.

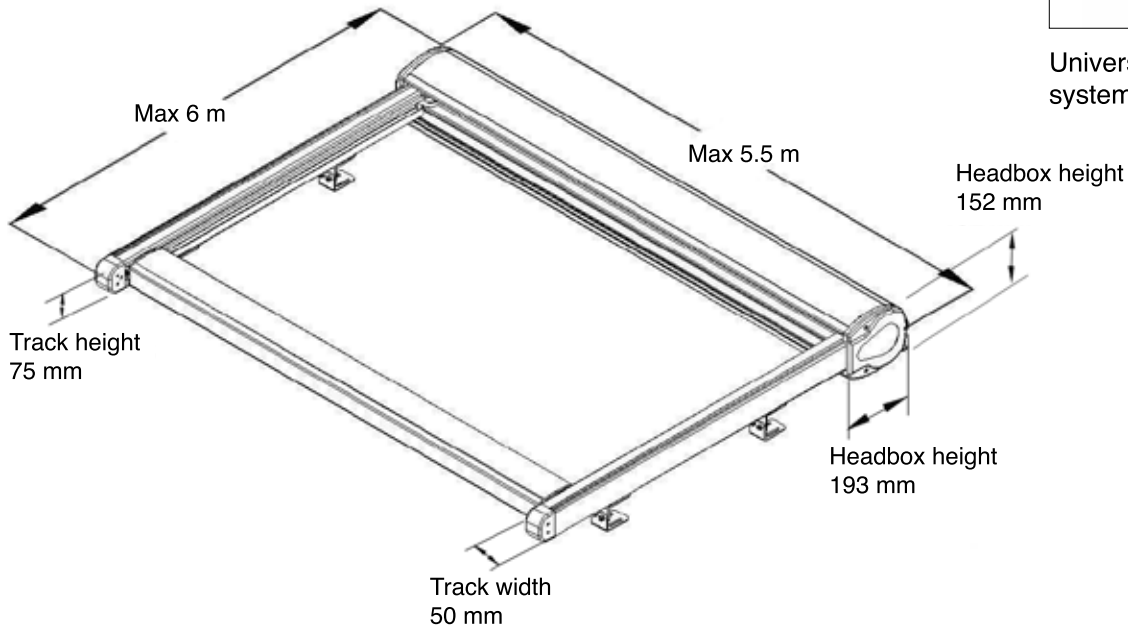
The Eureka can be installed onto existing structures, over roofs or with support posts to create a covered outdoor area.

# Motorised Sunroof System

## SPECIFICATIONS



Universal headbox bracket system (optional)



HEAD BOX WIDTH 193MM X 162MM  
ARM PROFILE 56MM X 75MM  
MAX WIDTH 5.5M  
MAX PROJECTION 6M  
WIND CLASS 3 (49KM/H)  
COUPLED UNITS POSSIBLE

STANDARD POWDER COAT FINISH – WHITE  
MANY CUSTOM DULUX COLOURS AVAILABLE AT SURCHARGE  
HIGH GRADE EXTRUDED ALUMINIUM PROFILES  
DIE CAST ALUMINIUM COMPONENTS  
STAINLESS STEEL BOLTS, SCREWS AND PINS.

