

# PRODUCT FACTSHEET

## SHADE FOR OUTDOOR LIVING

Folding Arm Awnings are the perfect product to suit an Australian outdoor living lifestyle. Extended your living space through to the serene outdoors. The awning is streamlined and neat, free from vertical posts, allowing people to walk under it easily without any obstructions.



02 4726 5700 | [nepeanblinds.com.au](http://nepeanblinds.com.au)  
Unit 1/89 Batt Street, Penrith NSW 2750



**NEPEAN**  
BLINDS & DOORS

**FOLDING ARM AWNINGS**

# Technical Info

## Operation

The Full Cassette Folding Arm Awnings are powered by automation only. The Semi Cassette Folding Arm Awnings are operated by crank control or motors..

## Size

They have a maximum width of 7m with a projection of 3.5m. (NB: The width of the awning must be more than 500mm bigger than the projection for the awning to work.)

## Pitch

The pitch of the awning can be set on installation from a minimum of 5° down to 45°, if requested.

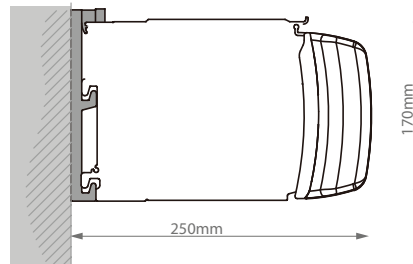


Full Cassette Folding Arm Awning



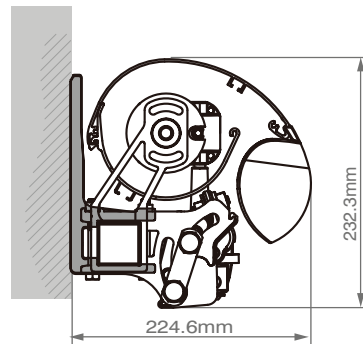
Semi Cassette Folding Arm Awning

## Full Cassette Folding Arm Awning Closed size

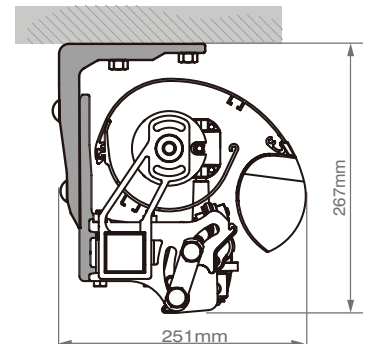


## Semi Cassette Folding Arm Awning

### Face fit Semi Cassette

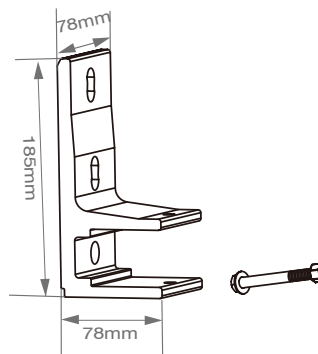


### Ceiling fit Semi Cassette

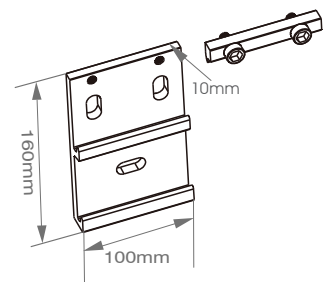


## Brackets

### Face fit Semi Cassette bracket



### Face fit Full Cassette bracket



## No Posts

The lack of posts or poles means that no floor space is taken up by the Awning.

## Streamlined

The Folding Arm Awning offers a sleek design and contemporary style.

## Retracts into a neat cassette

When retracted, the fabric is completely protected with only the arms visible from underneath the awning. An optional decorative valance can cover the arms from the front.

## Colours

The fabric comes in a range of colours and fabrics.

## Child-Safe

The lack of cords or cables adds an extra level of child-safety.

## Satisfaction Guaranteed

Quality installation is assured with our specialist team, and peace of mind with a 3 year warranty.

# Benefits