

# PRODUCT FACTSHEET

## DRESS TO IMPRESS

These eye-catching blinds new to the market feature a double layer of translucent and opaque strips of fabric, creating a striped pattern. The blind gives the same versatility to a Dual Roller Blinds, which means day by day you can change the blind to suit the light preference. The front layer moves independently from the back, allowing the stripes to glide past each other giving you control over the amount of light or privacy.



02 4726 5700 | [nepeanblinds.com.au](http://nepeanblinds.com.au)  
Unit 1/89 Batt Street, Penrith NSW 2750

**NEPEAN**  
BLINDS & DOORS

**VISION BLINDS**



# Technical Info

## Control

Vision Blinds are operated by chain control, or motor. The control chain, or motor, is used to raise and lower the blind, while also giving the ability to align the stripes for privacy or light filtering.

## Fabric

With Vision Blinds, you'll be spoilt for choice with colours and fabrics. Choose from an extensive range of contemporary colours and fabric palettes. These palettes consist of statement stripes featuring a range of dramatic metallic finishes, pretty sheers and natural woven effects.

## Fit

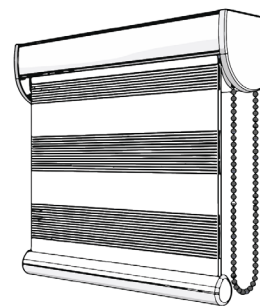
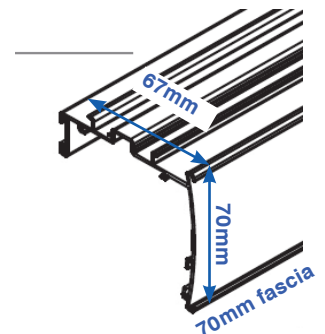
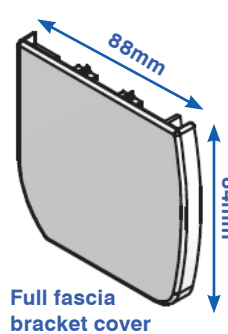
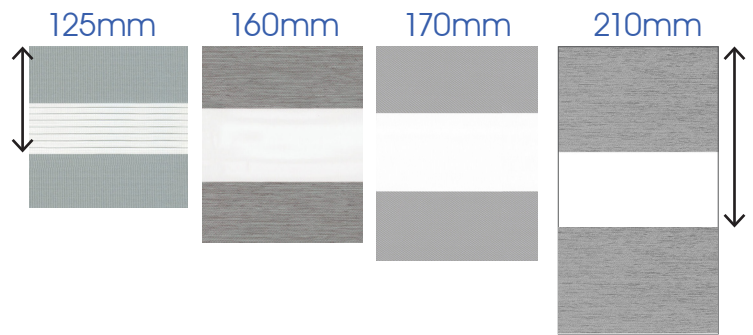
Vision Blinds can do both Reverse roll and Standard roll from the same cassette system.

## Hardware

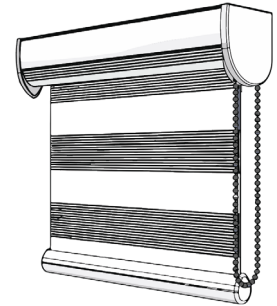
Choose from 70mm full fascia cassette in black & white to add a little personality to your blind and also co-ordinate or contrast with your room decor.

## Vane size

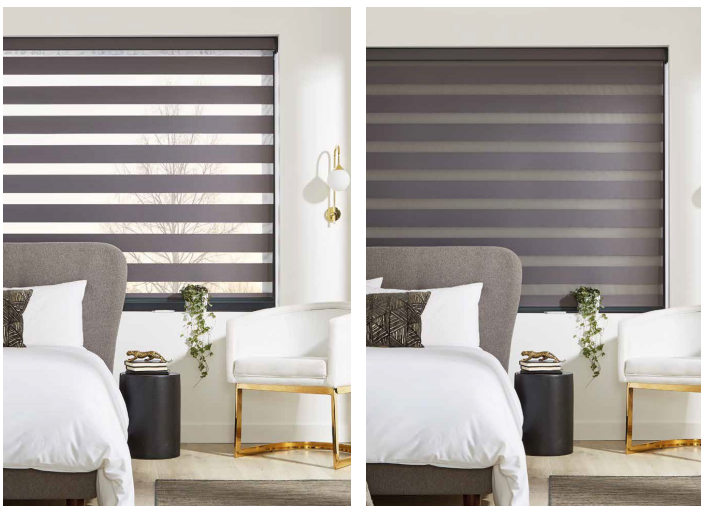
Vision blinds offer varying vane sizes for customizable light control and appearance.



Reverse roll



Standard roll



# Benefits

## Light Control

The front layer moves independently from the back allowing the stripes to glide between each other.

## Range of Fabrics

Vision blinds can be made with an extensive range of fabrics, meaning there is an option to suit any decor.

## Satisfaction Guaranteed

Quality installation is assured with our specialist team, and peace of mind with a 3 year warranty.